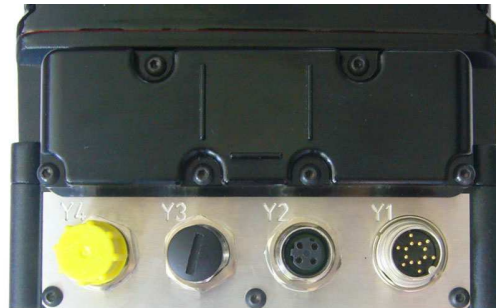


Install radarTOUCH hardware

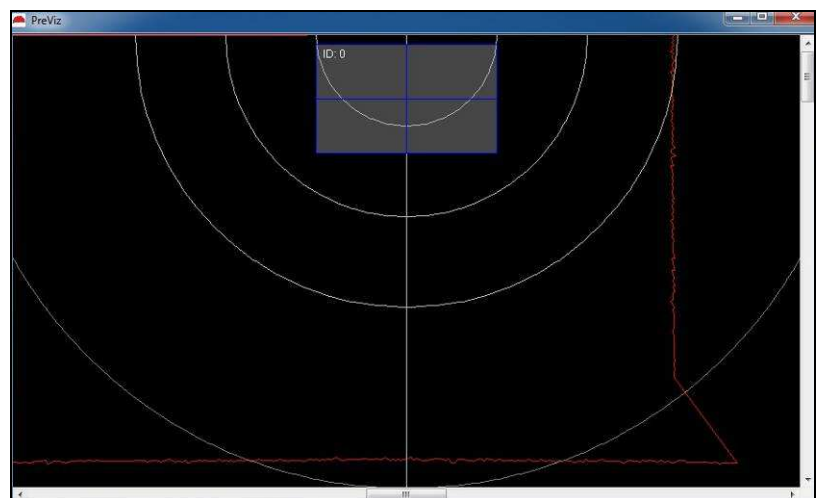
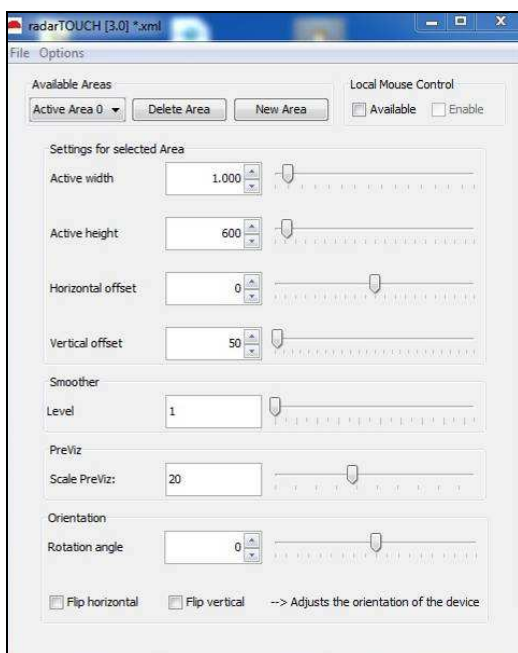
- Position the measurement device corresponding to your construction
- Connect it like below:
 - » Mains adapter (with XLR adapter) to Y1
 - » Ethernetcable to Y2 (the RJ45 connector to the network interface of your PC)



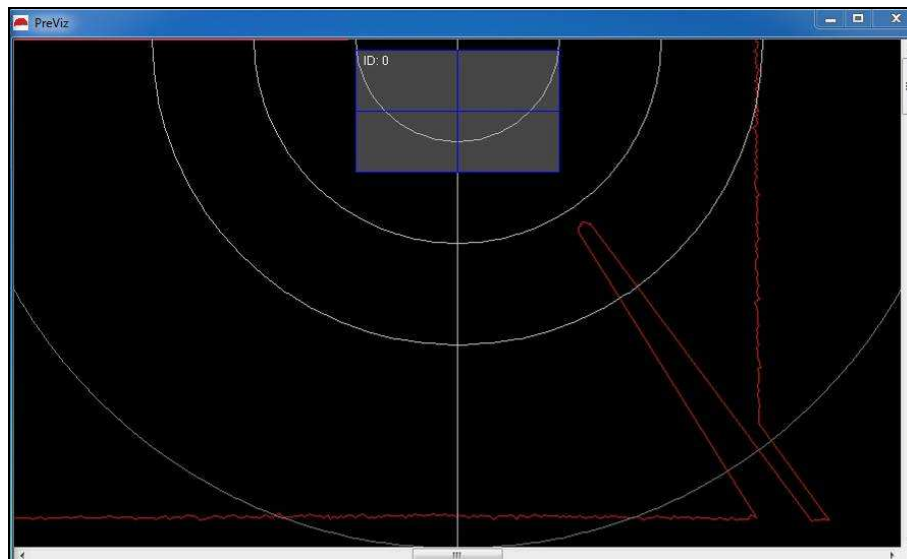
- » If the LEDs above the connectors light up, you can be sure that the device has power supply

Install radarTOUCH software

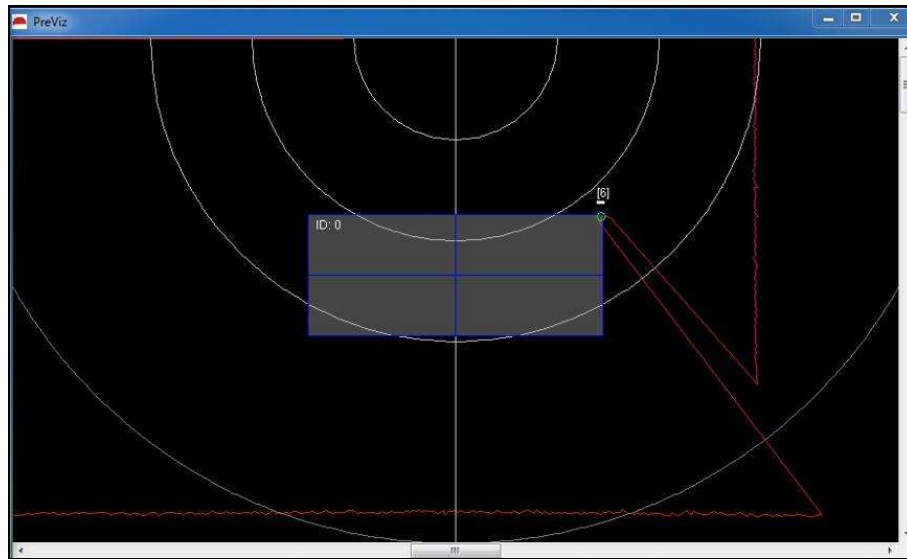
- Set the IP address of your PC to a static IP address (My Network Places – Properties – LAN connection (to radarTOUCH) – Properties – TCP/IPv4 – Properties)
For example: 192.168.60.11 (this is the default OSCclient IP)
(for further information please have a look at the radarTOUCH manual)
- Plug in the radarTOUCH dongle and open radarTOUCH[3.1] and run the radarTOUCH exe file. Two windows will open:



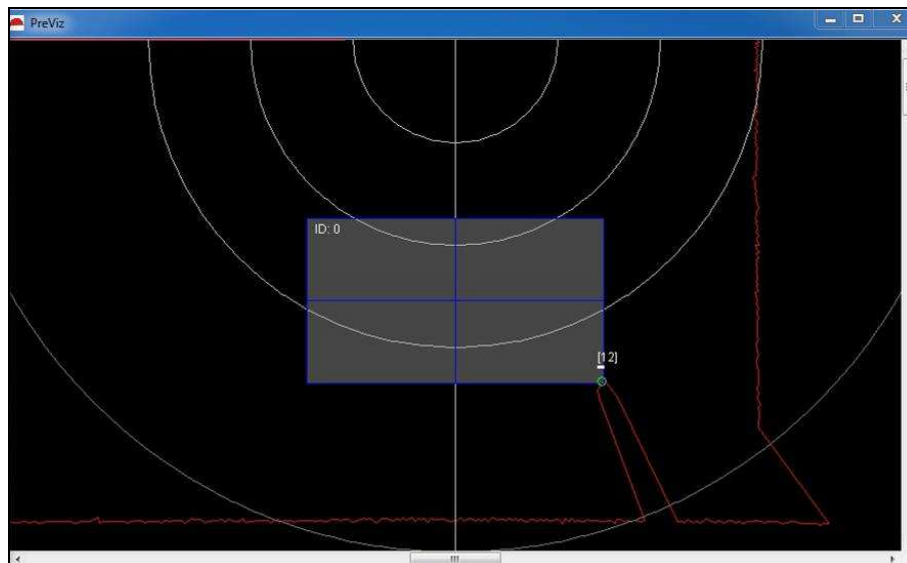
- If the measurement device is scanning very close to the image area to get a preferably high accuracy (for example to hit small buttons), then adjust the Active Area (blue rectangle in the window PreViz) like below:
 - » Please start with the image area border facing the measurement device.
Example: If the measurement device is fixed below a display then you start with the lower border or rather with the lower corners of the display image area.
 - » First put your finger in one corner and then in the other and watch in the PreViz where your finger is in the software.



- » Now position the Active Area with „Vertical offset“ and „Active width“ / „Horizontal offset“ until the corners of the image area match with the corners of the Active Area. The green circle shows that an obstacle is detected. The corners of the Active Area should match with the middle of the circle.



- » Now you can adjust the height of the Active Area with „Active height“. In this case the corners of the image area have to match with the corners of the Active Area, too.



- » It is easier to calibrate the radarTOUCH with two persons, one person handles the PC and the other person stands at the image area.
 - » If the measurement device is not centred above or below the image area, you can adjust the Active Area with „Horizontal offset“ accordingly.
 - » Store your settings with „save“
- If the measurement device is scanning further away from the image area, to detect only zoom or wipe movements, then you have to calibrate less accurately.
 - For more information please have a look at the radarTOUCH manual which you will find on the radarTOUCH dongle.