

©COPYRIGHT LANG AG
This print and the information shown thereon, is the property of LANG AG. It may not be delivered to others nor reproduced for general circulation without the written consent of the LANG AG.

Material: Revision: 02
Weight: 0.000 kg

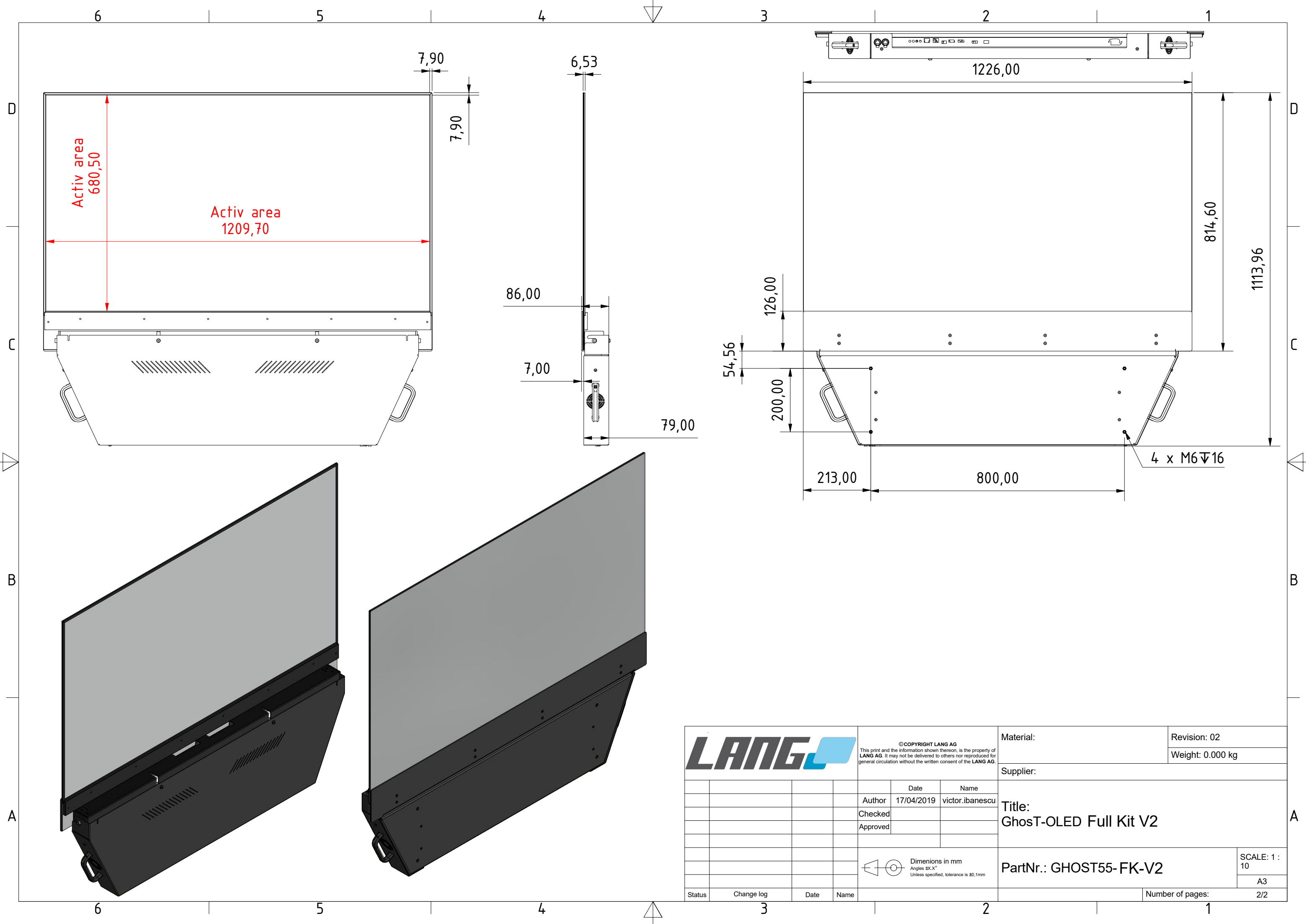
	Date	Name
Author	17/04/2019	victor.ibanescu
Checked		
Approved		

Supplier:
Title: Ghost-OLED Full Kit V2

Dimensions in mm
Angles ±X.X°
Unless specified, tolerance is ±0,1mm

PartNr.: GHOST55-FK-V2
SCALE: 1 : 10
A3

Status	Change log	Date	Name	Number of pages:
				1/2



©COPYRIGHT LANG AG
This print and the information shown thereon, is the property of LANG AG. It may not be delivered to others nor reproduced for general circulation without the written consent of the LANG AG.

Material:	Revision: 02
	Weight: 0.000 kg
Supplier:	
Title: Ghost-OLED Full Kit V2	
PartNr.: GHOST55-FK-V2	SCALE: 1 : 10
	A3
Number of pages: 2/2	

	Date	Name
Author	17/04/2019	victor.ibanescu
Checked		
Approved		

Dimensions in mm
Angles ±X.X°
Unless specified, tolerance is ±0,1mm

Status	Change log	Date	Name