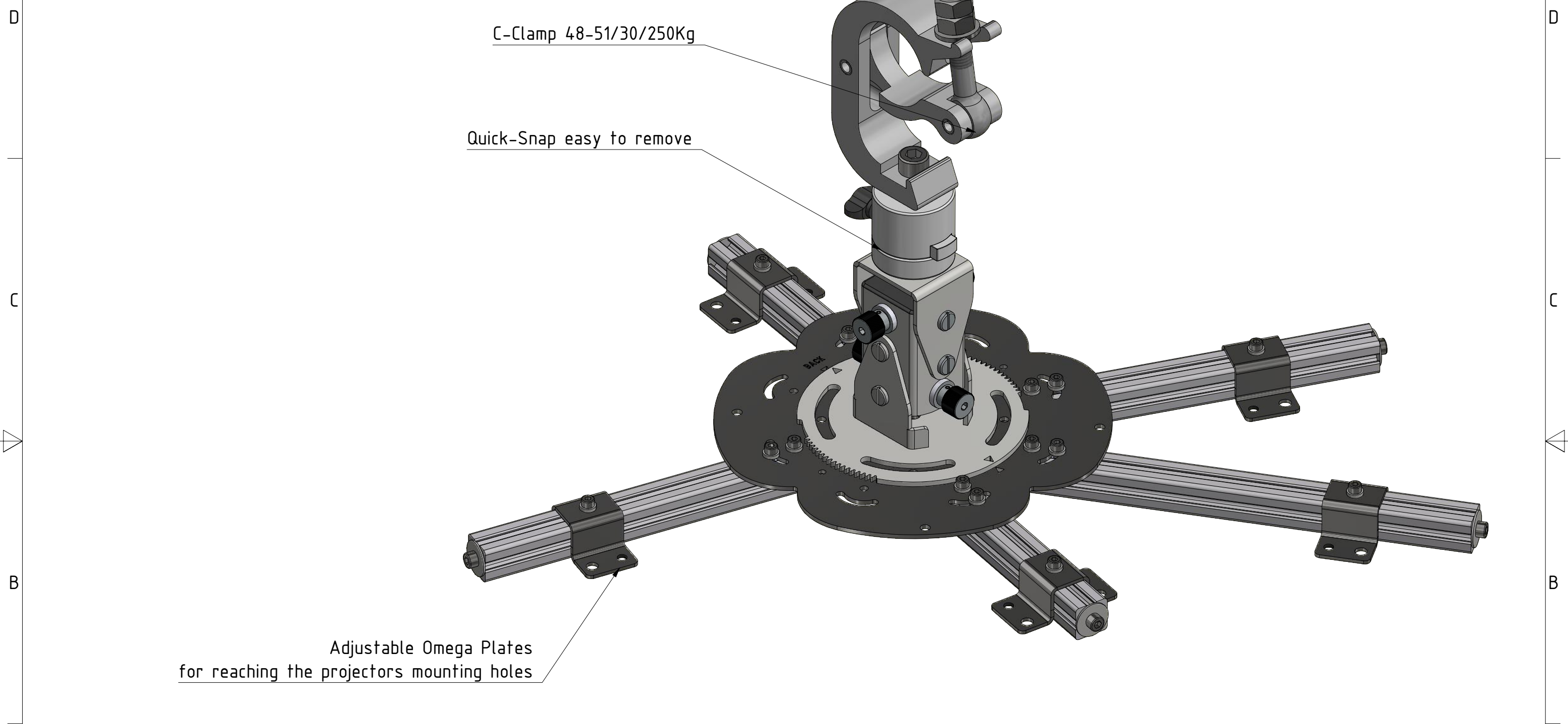


6 5 4 3 2 1



Adjustable Omega Plates
for reaching the projectors mounting holes

Accessories needed for screwing the projectors with the TH-PROJ-UNI:

- 5 x M4x16 DIN 912 G.Steel 10.9 (SRE-ZKIS-M4x16Zn)
- 5 x M5x16 DIN 912 G.Steel 10.9 (SRE-ZKIS-M5x16Zn)
- 5 x M6x16 DIN 912 G.Steel 10.9 (SRE-ZKIS-M6x16Zn)

- 5 x Ø4,2 RippLOCK Safety Washer G.Steel (SSCE-RILOCK-ZN4)
- 5 x Ø5,2 RippLOCK Safety Washer G.Steel (SSCE-RILOCK-ZN5)
- 5 x Ø6,2 RippLOCK Safety Washer G.Steel (SSCE-RILOCK-ZN6)



©COPYRIGHT LANG AG
This print and the information shown thereon, is the property of LANG AG. It may not be delivered to others nor reproduced for general circulation without the written consent of the LANG AG.

Material: Revision: 01
Weight: 5.375 kg

	Date	Name
Author		Victor Ibanescu
Checked		
Approved		

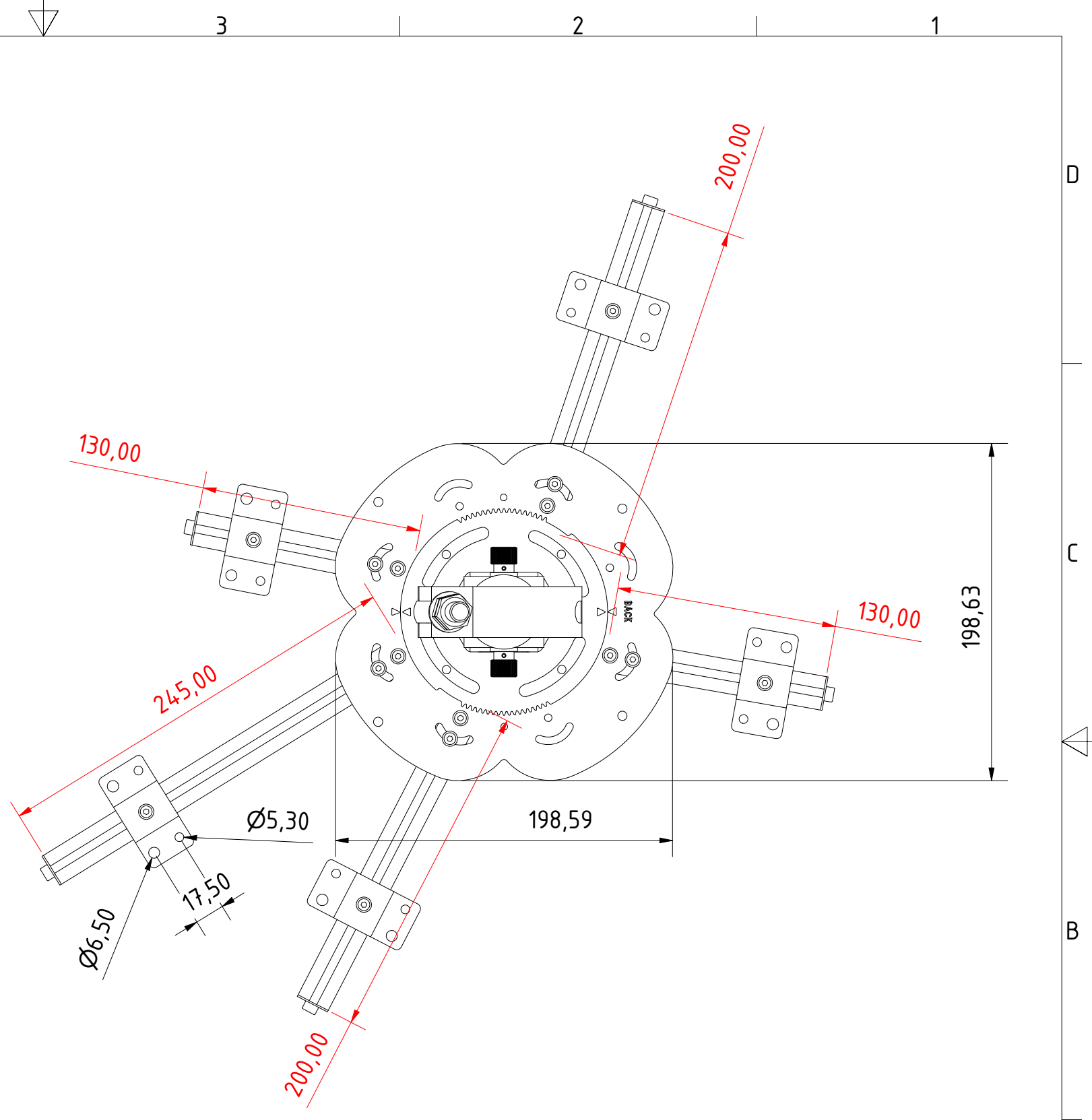
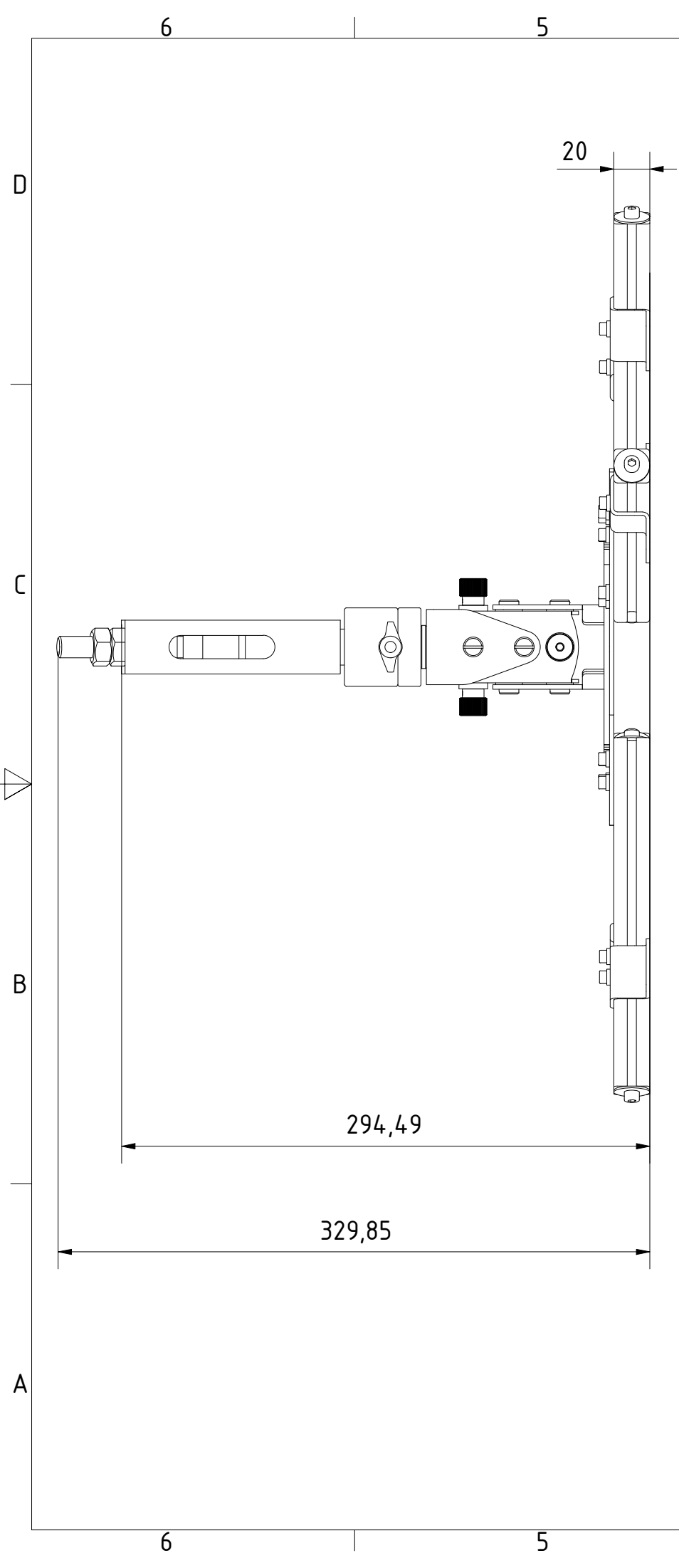
Supplier:
Title:
Truss mounting universal for small and medium sized

Dimensions in mm
Angles ±X.X°
Unless specified, tolerance is ±0,1mm

PartNr.: TH-PROJ-UNI SCALE: 1 : 2
A3

Status	Change log	Date	Name	Number of pages:
				4/6

6 5 4 3 2 1



©COPYRIGHT LANG AG
This print and the information shown thereon, is the property of LANG AG. It may not be delivered to others nor reproduced for general circulation without the written consent of the LANG AG.

Material: Revision: 01
Weight: 5.375 kg

Supplier:

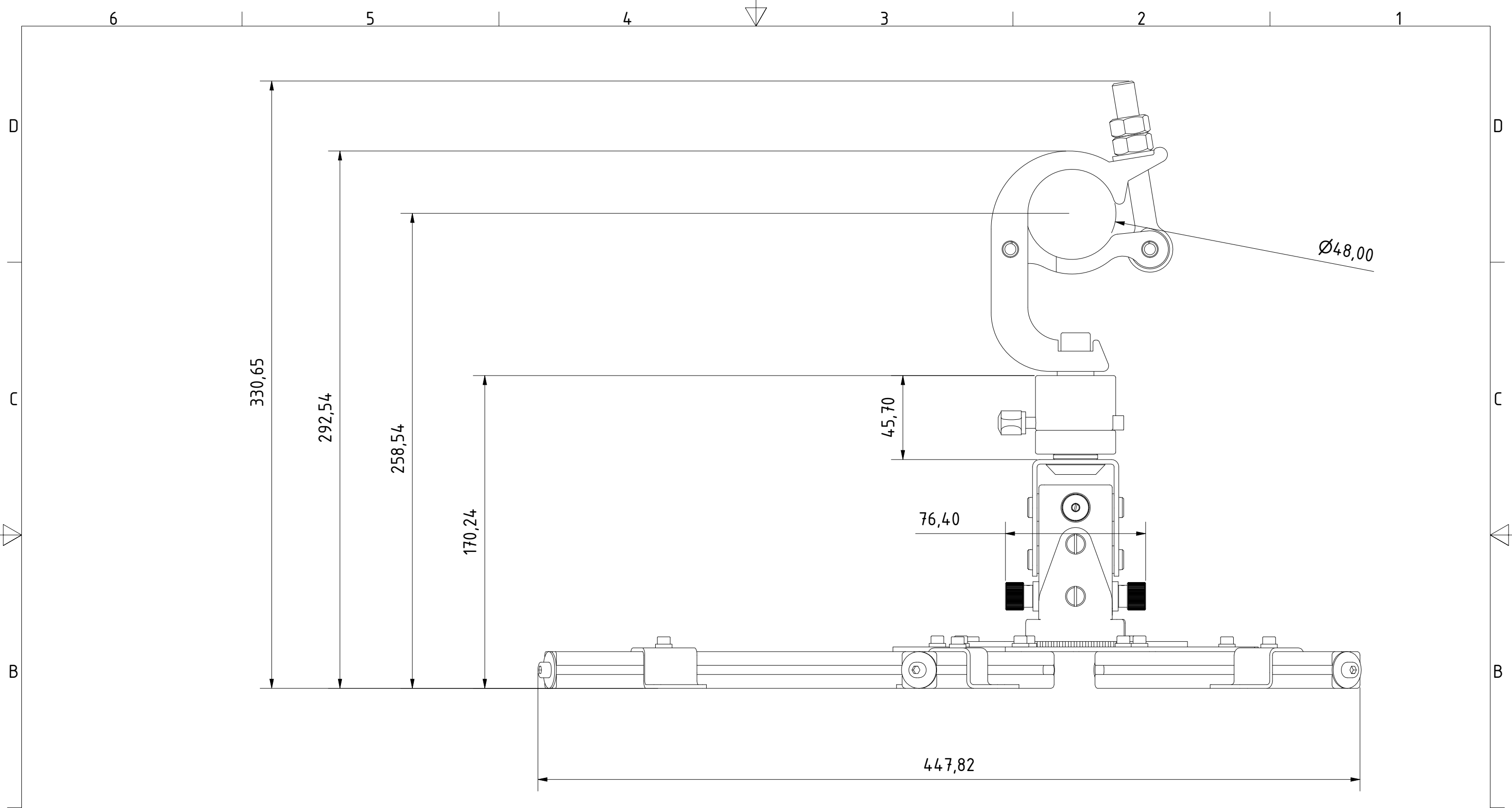
	Date	Name
Author		Victor Ibanescu
Checked		
Approved		

Title:
Truss mounting universal for small and medium sized

Dimensions in mm
Angles ±X.X°
Unless specified, tolerance is ±0,1mm

PartNr.: TH-PROJ-UNI SCALE: 1 : 3

Status	Change log	Date	Name	Number of pages:
				5/6



©COPYRIGHT LANG AG
 This print and the information shown thereon, is the property of LANG AG. It may not be delivered to others nor reproduced for general circulation without the written consent of the LANG AG.

Material: Revision: 01
 Weight: 5.375 kg
 Supplier:

	Date	Name
Author		Victor Ibanescu
Checked		
Approved		

Title: Truss mounting universal for small and medium sized
 PartNr.: TH-PROJ-UNI
 SCALE: 1 : 2
 A3
 Number of pages: 6/6

Status	Change log	Date	Name

Dimensions in mm
 Angles ±X.X°
 Unless specified, tolerance is ±0,1mm