

User Manual and Installation Guide

primeTOUCH Table for 84" and 98"



Displays that can be set up with the primeTOUCH Table:

- primeTOUCH 84"
- primeTOUCH 98"

TABLE OF CONTENT

1. COMPONENTS	3
2. IMPORTANT SAFETY NOTICE	4
3. ATTACH THE FEET (LAG-TBL-0003) TO THE LONG PIPE (LAG-TBL-0002)	6
4. CONNECT THE DISPLAY MOUNTING PIPES	8
5. CONNECT THE DIAGONAL PLATE	9
6. primeTOUCH 98" ADAPTORS	10
7. primeTOUCH DISPLAY INSTALLATION	11
8. INSTALLATION OF DECORATIONS	12
9. ADJUSTING THE HEIGHT OF THE FEET	12
10. DISASSEMBLING THE TABLE	13
11. SYSTEM INSPECTION AND MAINTENANCE	13
12. DIMENSIONS	14

Tools required:



Nr. 4 hex key (Allen key)



Nr. 10, 16, 24 Spanner

These installation instructions must always be handed over to the installing person¹

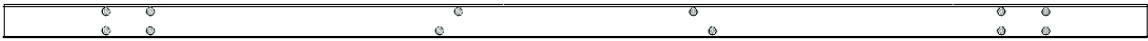
Read these instructions carefully before installing the system.

Copyright © 2015 LANG AG. All rights reserved.

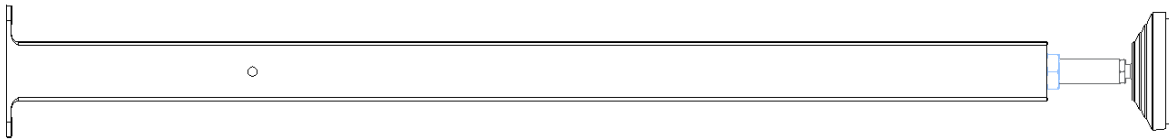
¹ Only a qualified person should install this product

1. COMPONENTS

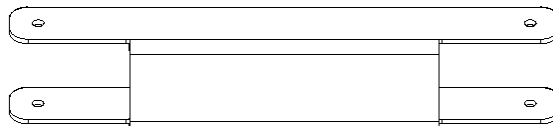
- 2 x Long Pipe (LAG-TBL-0002)



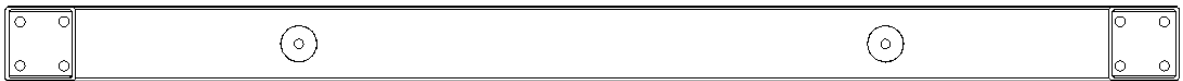
- 4 x Feet (LAG-TBL-0003) including Adjustable Feet



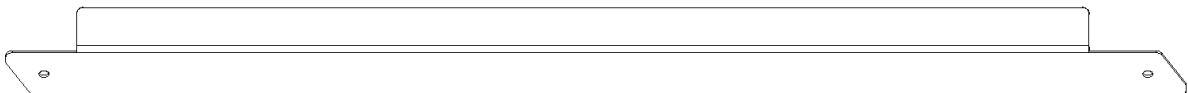
- 4 x Short Diagonal (LAG-TBL-0004)



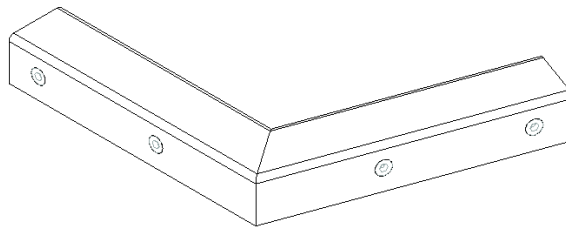
- 2 x Mounting Pipe (LAG-TBL-0001)



- 2 x Long Diagonal (LAG-TBL-0005)



- 4 x 98" Adaptors (LAG-TBL-0010)



36 x ISO7380 M6x20 Screws		52 x DIN125 Ø6,4 Washer	
8 x ISO7380 M6x70 Screws		8 x DIN985 M6 Self-Lock Nut	

2. IMPORTANT SAFETY NOTICE

Please carefully read the instructions provided in this document. It will provide all the information needed for a safe and fast installation.

After the installation is done properly, you can enjoy all the features of this product.

INTENDED USE

The primeTOUCH Table is intended for use by qualified, trained and competent persons in order to provide a safe transportation and installation of the primeTOUCH displays.

Only use the primeTOUCH Table indoors (conference rooms, theaters, convention halls etc.) where there is no wind or rain.

Make sure that only the corresponding primeTOUCH displays (98" and 84") are installed with this Table system! Do not try to use it with other displays because serious accidents or injuries may occur!

WARNING

Installation work should only be carried out by a qualified technician.

- If this product is not installed correctly, serious accidents may result.

Do not use the primeTOUCH Table outdoors.

- This product is made only for indoor usage. If the primeTOUCH Table is installed outdoor, there are many influences like wind and rain that can affect the stability of the whole system, its functionality and durability. This can cause severe accidents and property damage.

Make sure to not exceed the maximum allowed weight loads.

- Depending on the particular set up never exceed the maximum weight load of 150kg. This can cause severe accidents.

CAUTION

Before installing the primeTOUCH Table, please read the manual of the specific primeTOUCH display.

- The primeTOUCH Displays and Table must be installed only in an environment that is recommended by the display manufacturer.
- Tighten all the primeTOUCH Table screws to 15Nm.

Two persons are required to install just the primeTOUCH Table system.

- To install the primeTOUCH Displays, min. 4 persons are required. For further information please refer to the manual of the specific display.

Make sure that the floor where the table is installed is in good condition and that it can carry the weight of the table and display (max. 200kg).

- Prior to any installation, you have to do a visual inspection to make sure that the components of the table are in a good condition.

RISK SITUATIONS

Risk of injuries due to the possibility of falling objects during the assembly or disassembly of the primeTOUCH Table system

- Protection objective: avoid injuries from falling parts.
- Wear safety shoes, gloves and helmet.

Risk of hitting the head on the primeTOUCH Table system during the set up process

- Protection objective: avoid injuries from hitting the head.
- Wear a helmet

Incorrect installation may cause that certain parts of the primeTOUCH Table system, parts of the primeTOUCH Display or even the entire primeTOUCH Table can fall down.

- Protection objective: prevent personal injuries and property damage.
- Double check the primeTOUCH Table system and its installation.

Insufficient load capacity of the supporting structure may cause that certain parts of the primeTOUCH Table system, parts of the primeTOUCH Table or even the entire table can fall down.

- Protection objective: prevent personal injuries and property damage.
- Provide adequate dimensioning of the supporting structure.
- Ensure correct installation of the supporting structure.

Missing components

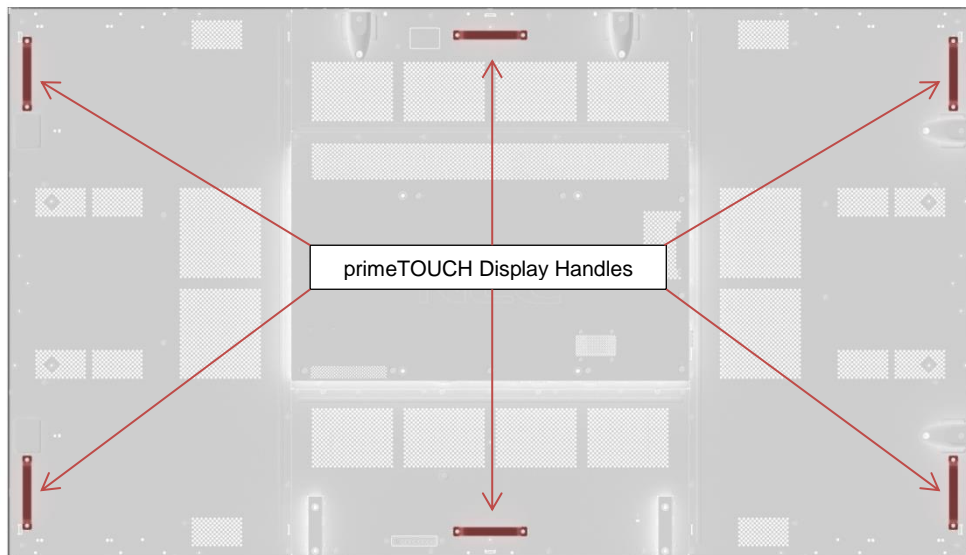
- Protection objective: prevent personal injuries and property damage.
- Always check for missing parts prior to any installation.

Loose components

- Protection objective: prevent personal injuries and property damage.
- Always check for loose parts prior to any installation.

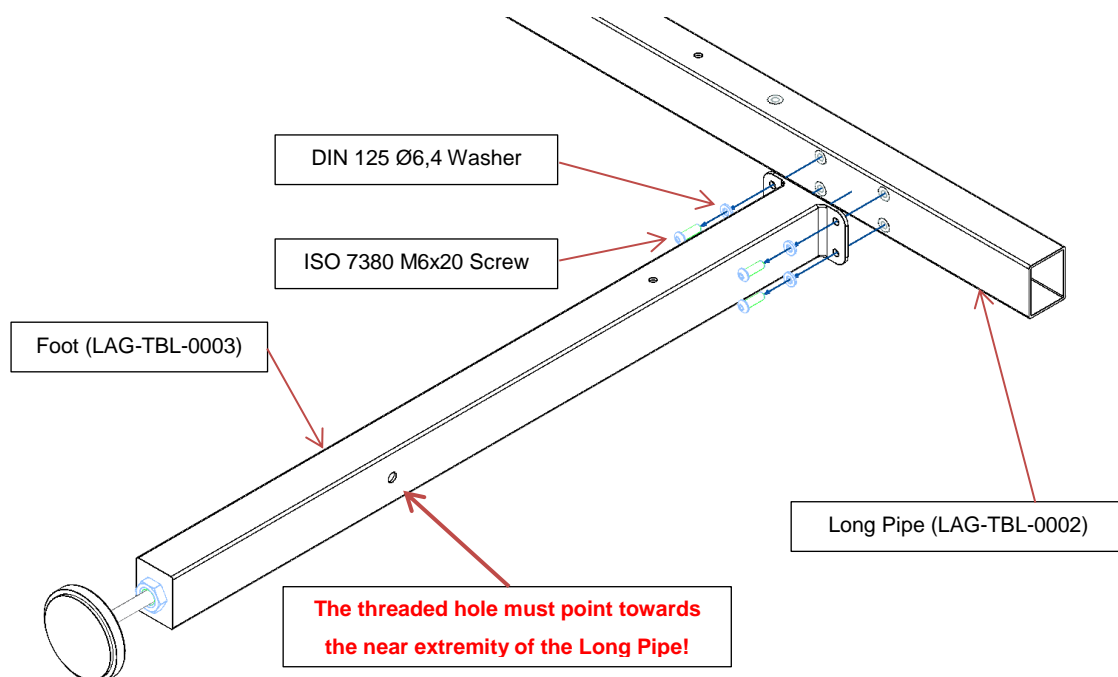
Fingers can be caught between the table and the display during installation.

- Protection objective: prevent personal injuries.
- Use safety gloves.
- When the display is mounted on the primeTOUCH Table system, the user must keep his hands on the handles of the display until this is safely placed on the primeTOUCH Table system.

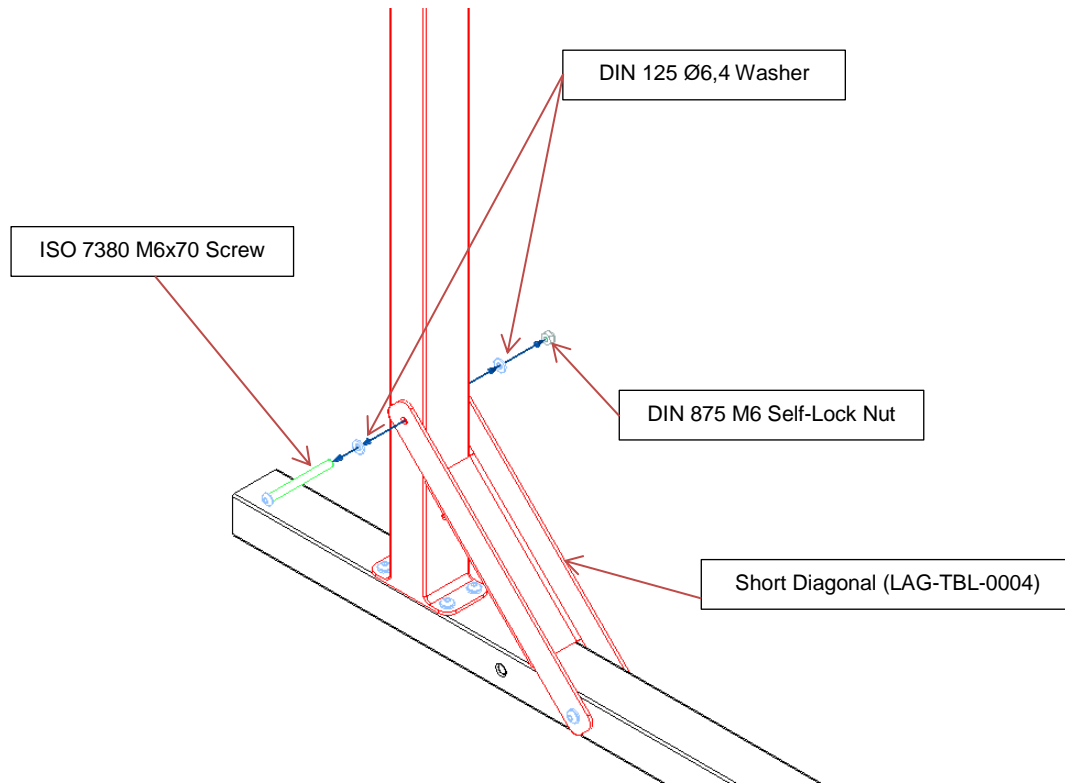


Please do not handle the displays from other points than the designed handles (see image above), this can damage the display or cause serious injuries.

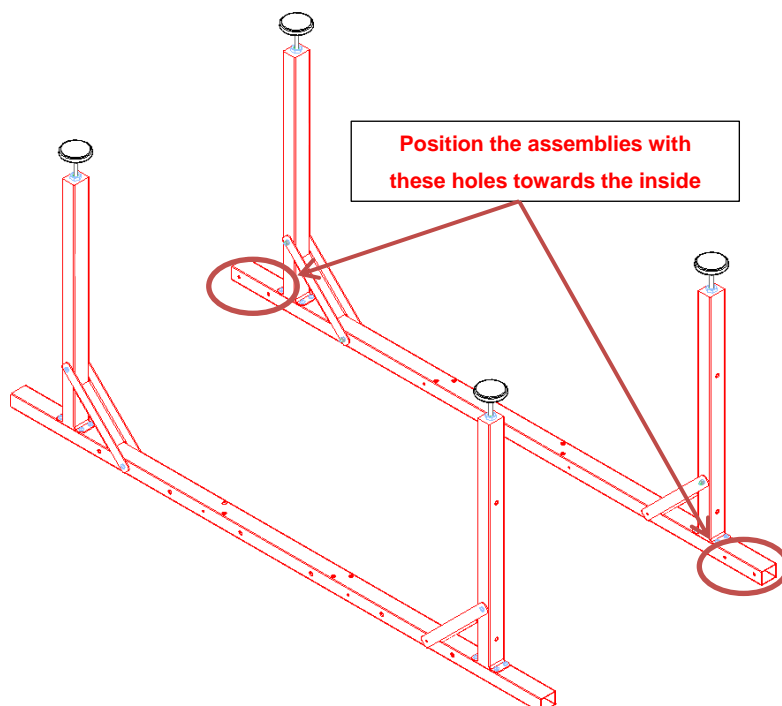
3. ATTACH THE FEET (LAG-TBL-0003) TO THE LONG PIPE (LAG-TBL-0002)



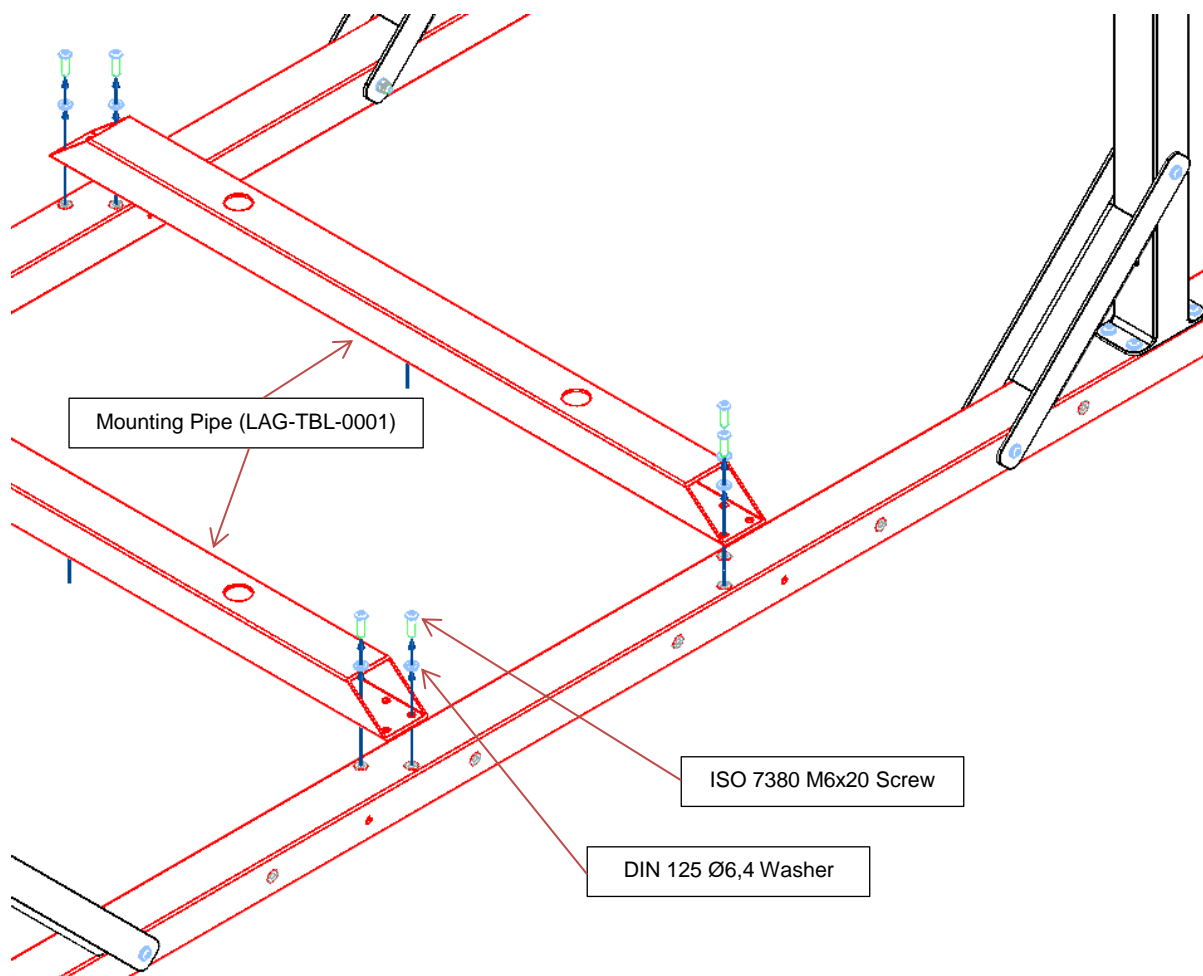
- Using 4 x ISO 7380 M6x20 screws with 4 x DIN 125 Ø6,4 Washers, attach the feet (LAG-TBL-0003) to the long pipe (LAG-TBL-0002) in the 4 rivet nuts on the end of the pipes.
- Attach the short diagonal (LAG-TBL-0004) to the feet (LAG-TBL-0003) using one ISO 7380 M6x70 screw, two DIN 125 Ø6,4 Washers and one DIN 875 M6 self-lock nut, as in the figure below. One end of the short diagonal should always be connected to the long pipe (chapter 8).



Repeat the two steps for all 4 feet. The result should look like in the figure below.



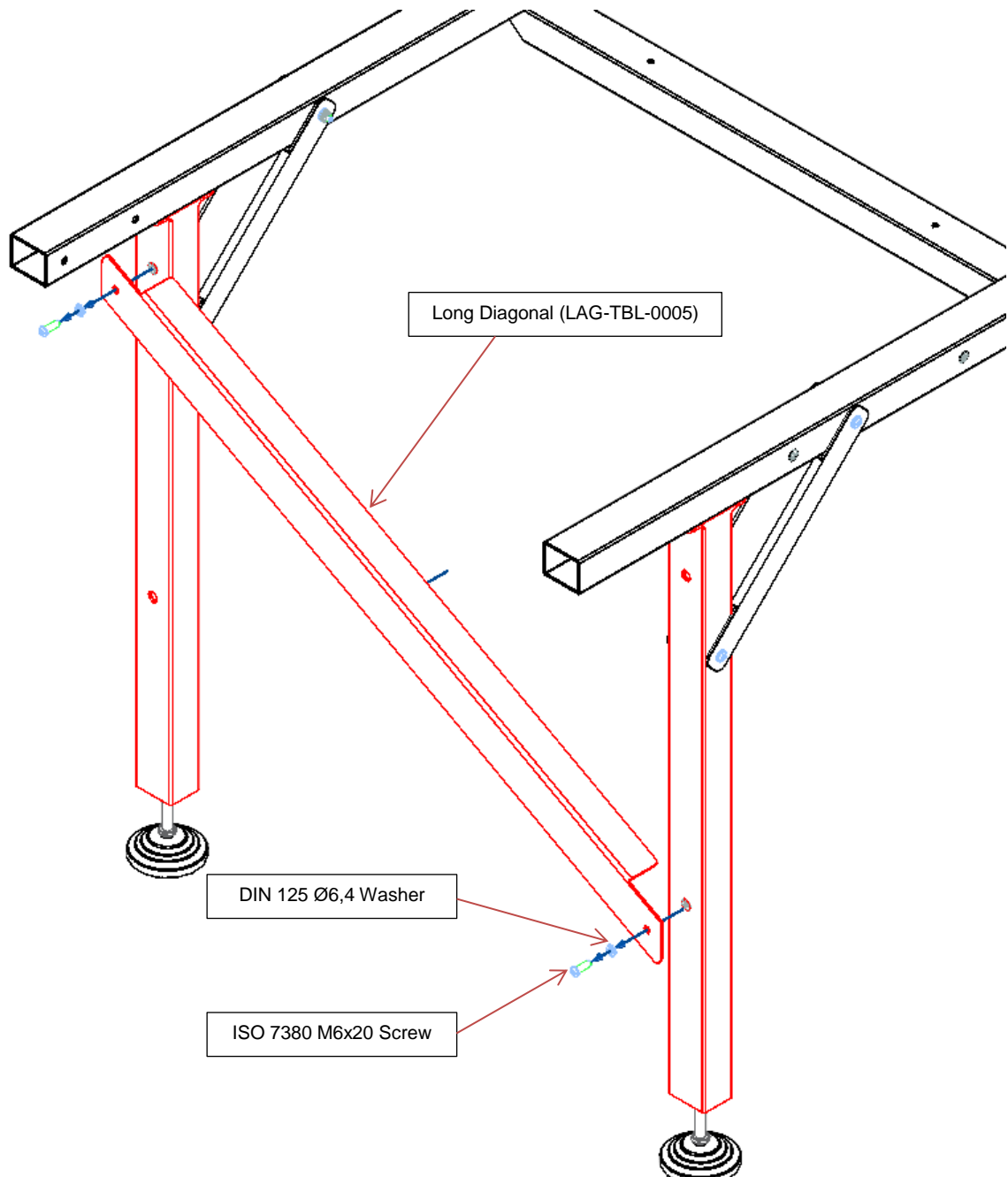
4. CONNECT THE DISPLAY MOUNTING PIPES



- Place the long pipes (with the assembled feet) making sure that the holes on the end of the long pipe (LAG-TBL-0002) are pointing towards the inside of the table. Otherwise, the 98" Adaptors cannot be installed later.
- Connect the two long pipes (LAG-TBL-0002) to the mounting pipe (LAG-TBL-0001) using 4xISO 7380 M6x20 screws with 4xDIN 125 Ø6,4 Washers. Repeat this step for the second mounting pipe.

After the feet, the long pipes and the mounting pipes are connected, the table can be turned with the feet on the floor.

5. CONNECT THE DIAGONAL PLATE



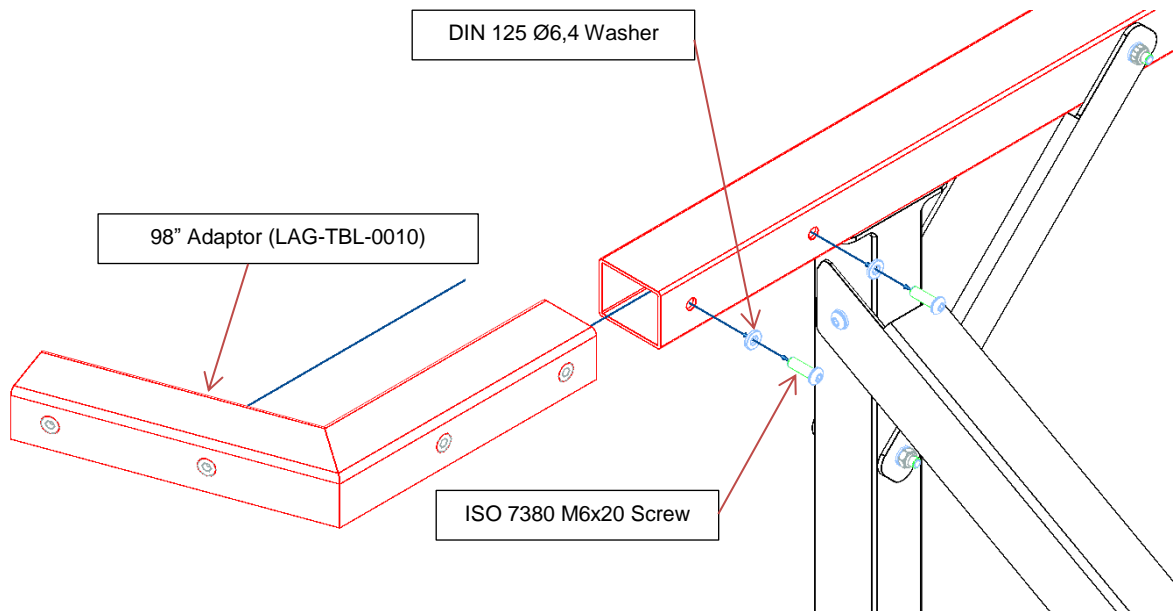
- Install the long diagonal (LAG-TBL-0005) using 2 ISO 7380 M6x20 screws with 2 DIN 125 Ø6,4 Washers. Repeat this step for the second diagonal on the opposite side of the table.

Caution: The long diagonal only fits in one position. Do not try to force the installation in other positions than the one shown in the figure above (on the outside of the table, with the bent side up). Doing so can damage the parts of the table that can later lead to injury and property damage.

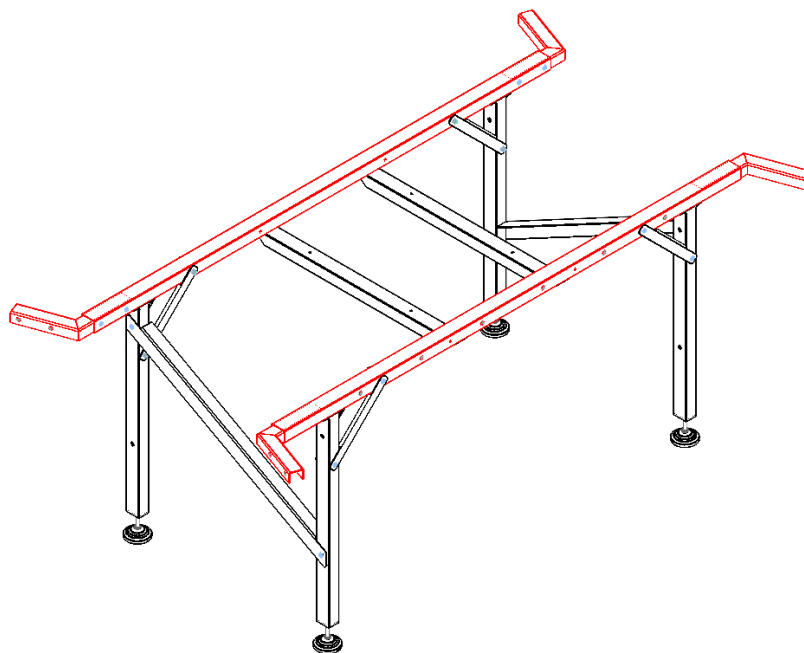
6. primeTOUCH 98" ADAPTORS

In order to fit the larger primeTOUCH 98" display, adaptors are required on the end of the long pipes.

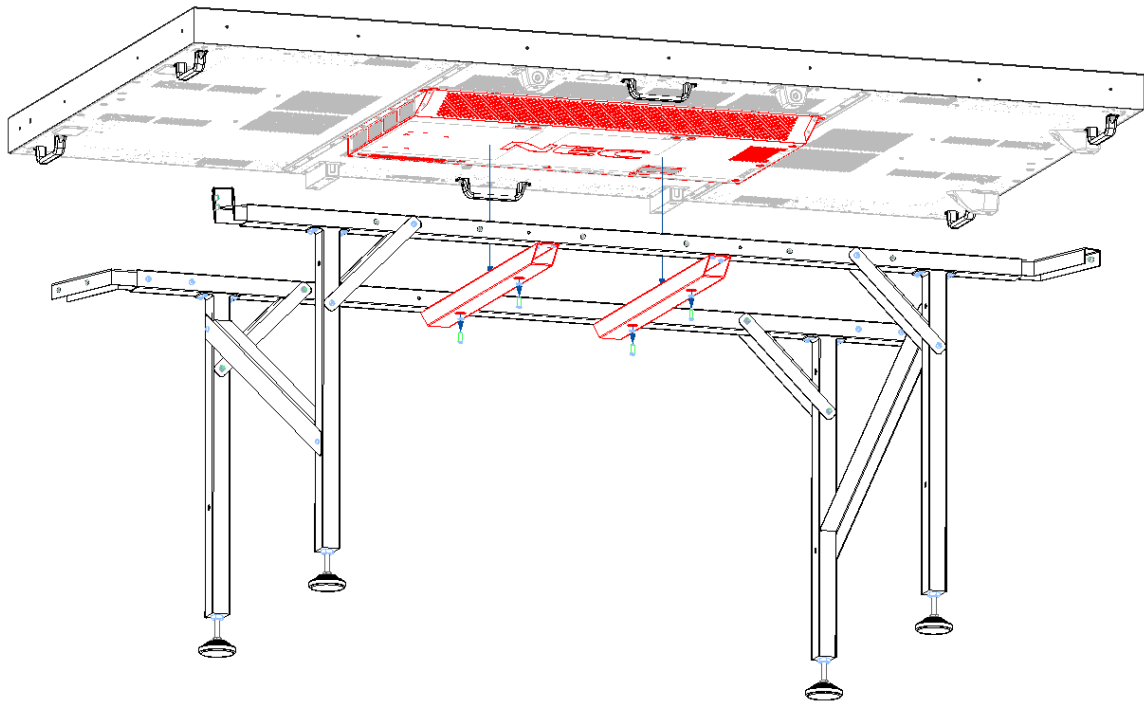
Do not use the adaptors with the primeTOUCH 84" display!



- Insert the 98" Adaptor (LAG-TBL-0010) into the end of the long pipe (LAG-TBL-0002) with the adaptor pointing to the side of the table (not towards the inside), then connect the two components using 2 ISO 7380 M6x20 screws with 2 DIN 125 Ø6,4 washers. Repeat this step for all four corners. The result should be as shown in the image below.

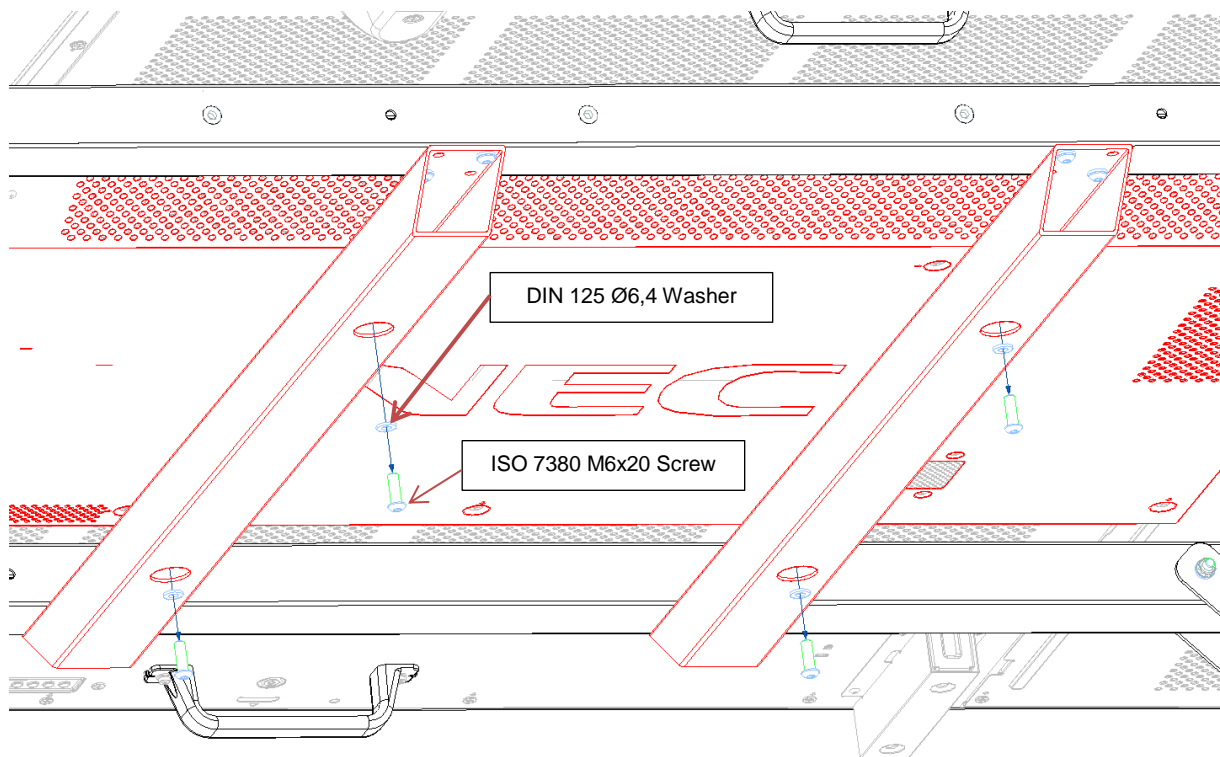


7. primeTOUCH DISPLAY INSTALLATION



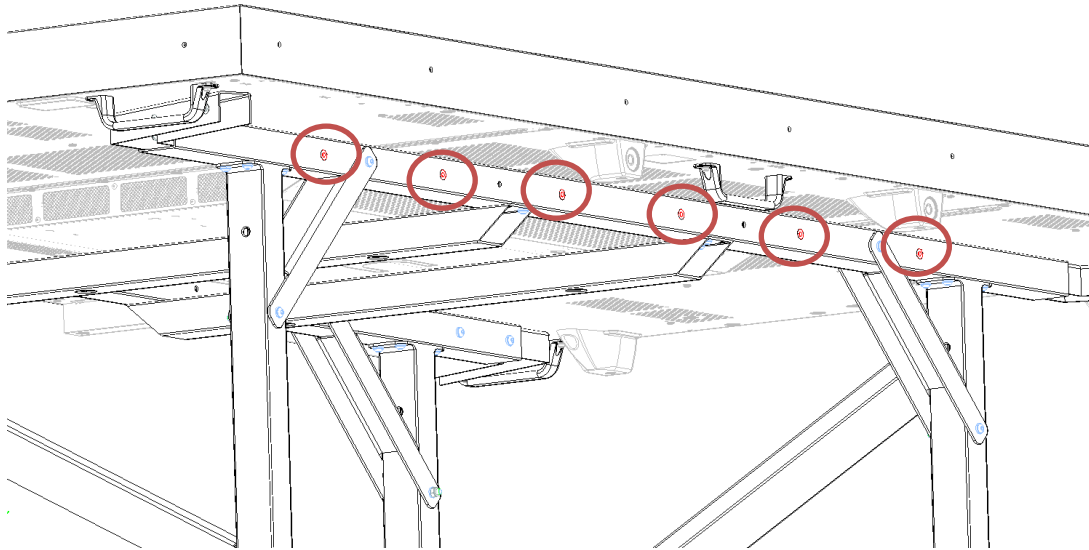
Carefully place the primeTOUCH 98" or primeTOUCH 84" display on top of the Table.

Position the primeTOUCH display so that the 4 x M6 VESA holes from the display are concentric with the 4 holes in the mounting pipe (LAG-TBL-0001).



Using 4 ISO 7380 M6x20 screws and 4 DIN 125 Ø6,4 washers, fasten the primeTOUCH display to the mounting pipes (LAG-TBL-0001).

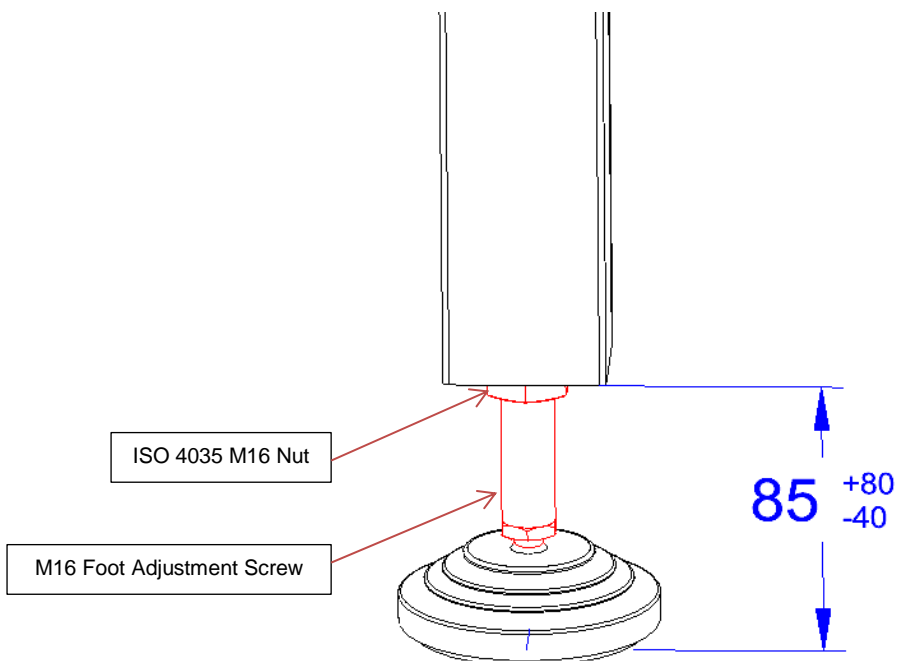
8. INSTALLATION OF DECORATIONS



The six M6 threaded inserts found on the side of each long pipe (LAG-TBL-0002) can be used for installing covers for the table.

Do not create additional holes in the components of the table or the primeTOUCH display! This may reduce the durability of the system and result in property damage and injury.

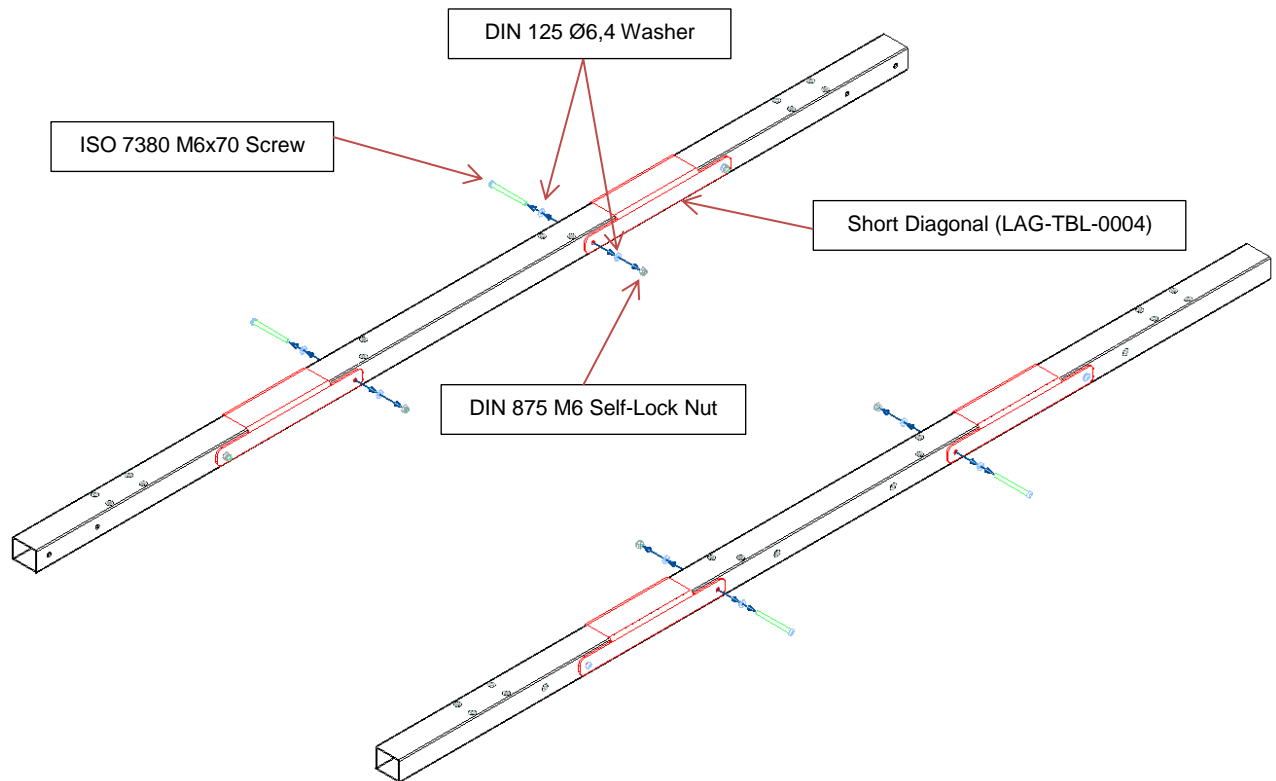
9. ADJUSTING THE HEIGHT OF THE FEET



The height of the feet can be adjusted through the M16 foot adjustment screw using a 16mm spanner. The ISO 4035 M16 nut is used to fasten the foot in place so that it doesn't move. The M16 nut can be fastened with the 24mm spanner. Do not adjust the foot outside the range shown in the image above.

10. DISASSEMBLING THE TABLE

In order to disassemble the table, the steps from chapters 6, 5, 4, 3, 2 need to be performed in reverse order.



The short diagonal (LAG-TBL-0004) can be secured to the long pipe (LAG-TBL-0002) using the ISO 7380 M6x70 screw, the two DIN 125 Ø6,4 washers and the DIN 875 M6 self-lock nut.

11. SYSTEM INSPECTION AND MAINTENANCE

The primeTOUCH Table does not require special maintenance but a visual inspection must be done **prior to every installation** in which the system is involved:

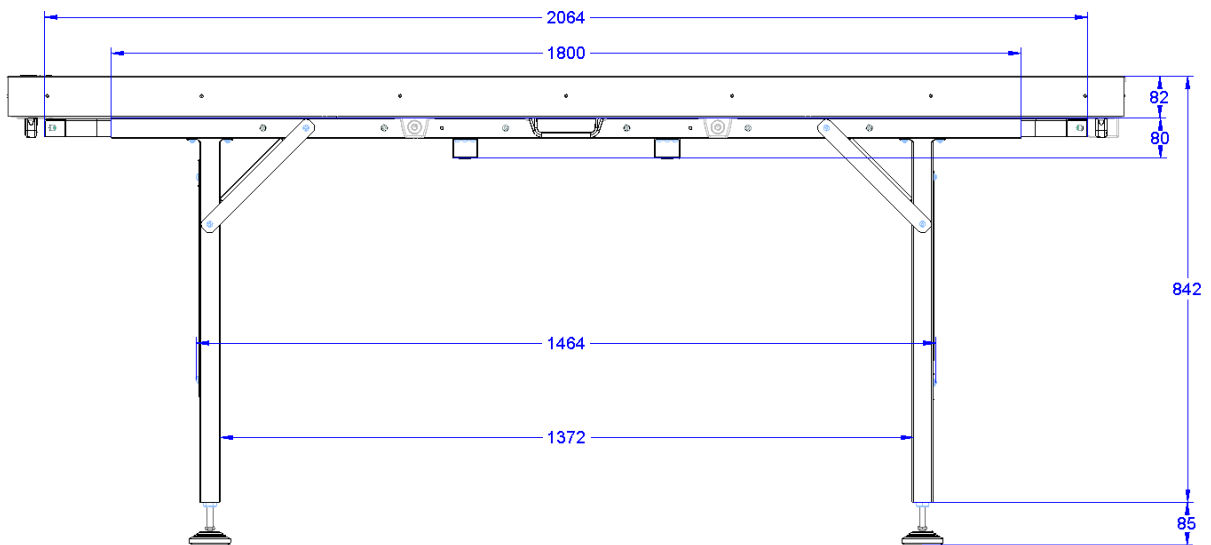
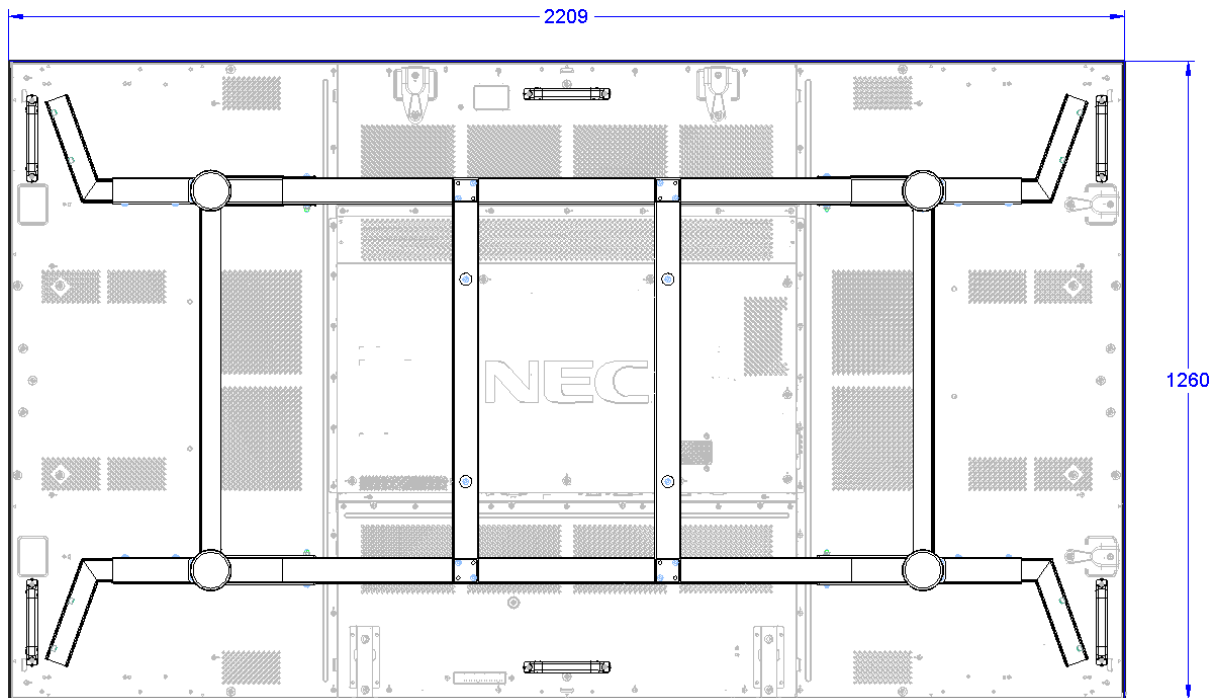
- Please make a visual inspection to be sure that all the screws are in the right place and none are missing;
- Make sure that the screws and all the components are not damaged;
- Please control, with corresponding tool, all the screws to make sure that none is loose;
- If any parts are broken or missing, please contact the seller so he can provide the spare parts;

Do not exchange broken or malfunctioning parts with ones that are not accredited by the manufacturer because severe injuries and property damage can occur!

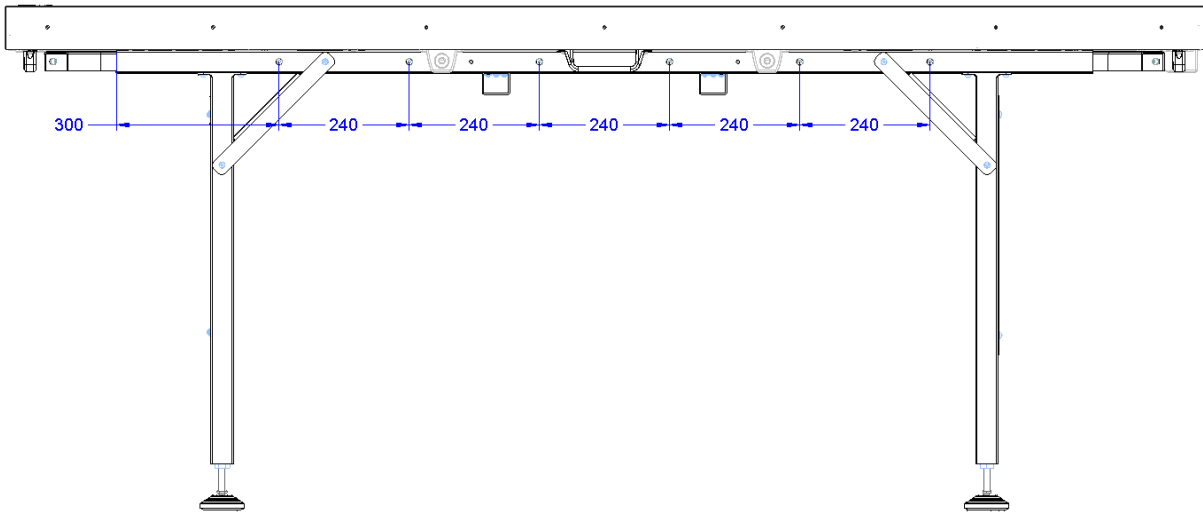
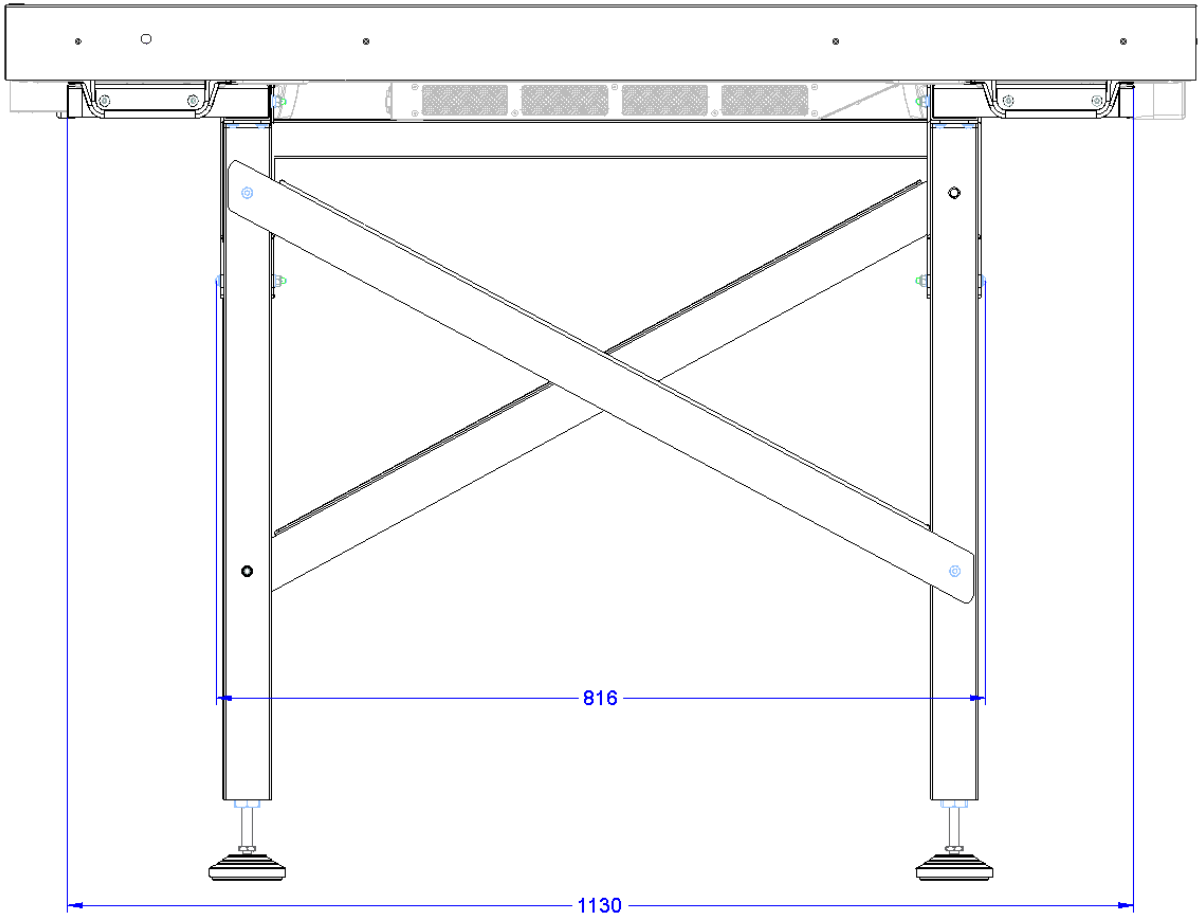
The inspection must be done by a qualified person!

12. DIMENSIONS

- primeTOUCH 98”:



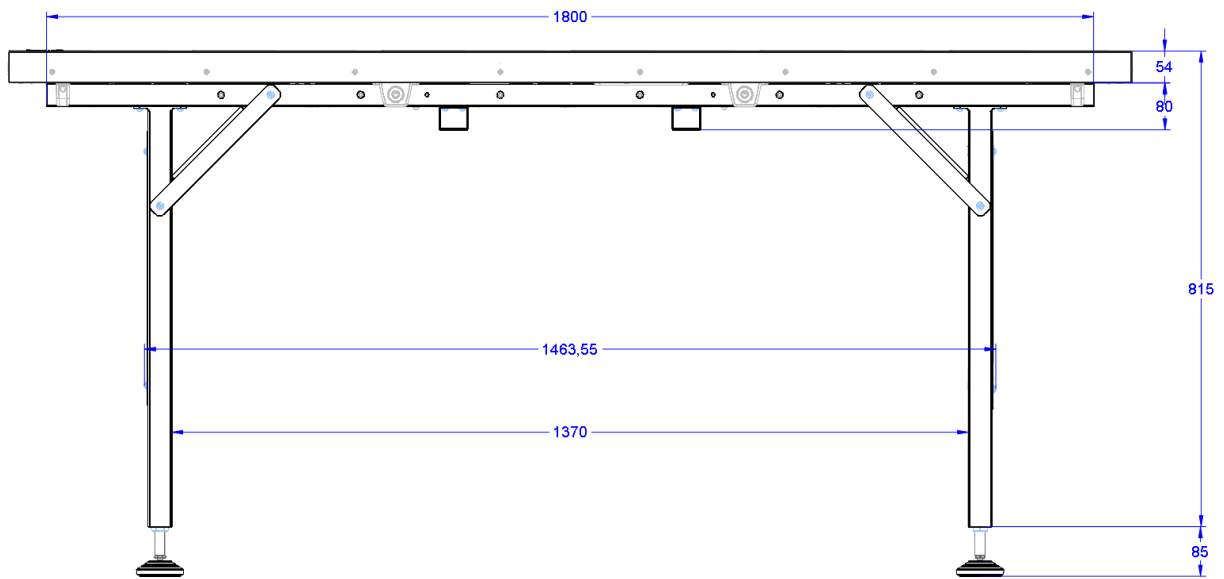
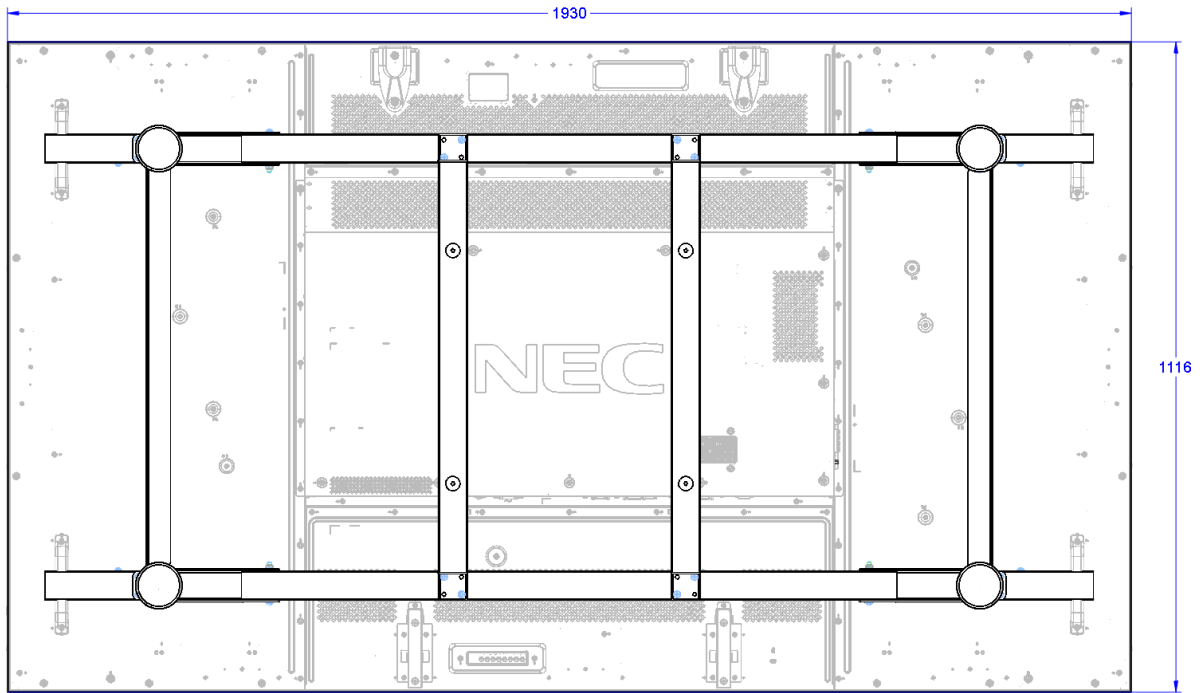
The height of the feet can be adjusted -40mm to +80mm (see chapter 8).



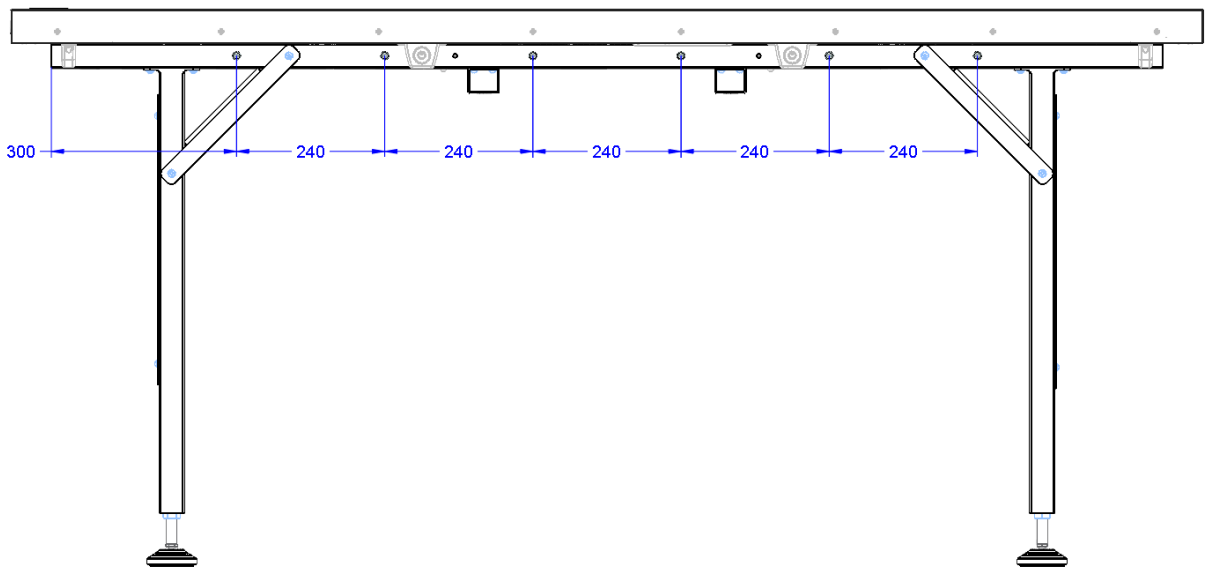
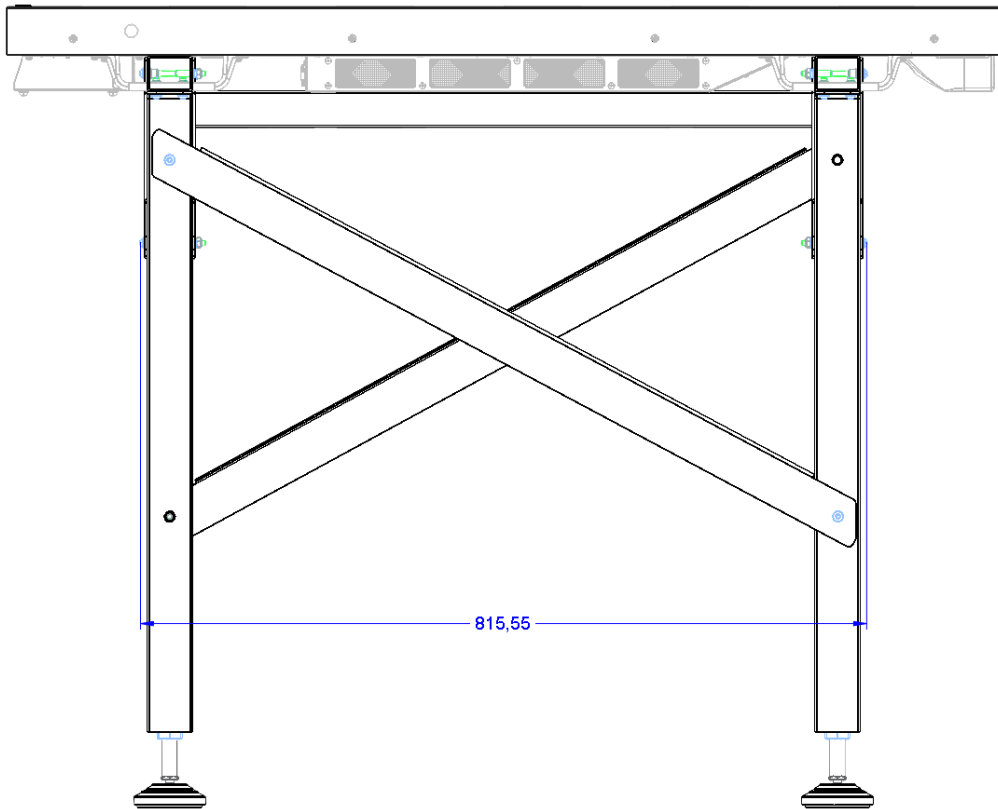
Weight without display: 32kg

Weight with display: 177kg

- primeTOUCH 84”:



The height of the feet can be adjusted -40mm to +80mm (see chapter 8).



Weight without display: **29kg**

Weight with display: **129kg**

Made in Germany
by



www.lang-ag.com

Schlosserstraße 8

51789 Lindlar

Germany

08/15